



# Interface Electronics

**DEGSON**  
Device Connection Technology

**DEGSON PTE. LTD.**  
ISO9001 ISO14001 ISO45001 ISO80079-34 ISO/TS22163 IATF16949

**DEGSON**  
DIN Rail Terminal Blocks

**DEGSON PTE. LTD.**  
ISO9001 ISO14001 ISO45001 ISO80079-34 ISO/TS22163 IATF16949

**DEGSON**  
Heavy Duty Connector

**DEGSON PTE. LTD.**  
ISO9001 ISO14001 ISO45001 ISO80079-34 ISO/TS22163 IATF16949

**DEGSON**  
High Voltage & EV Charging System

**NINGBO DEGSON EMOBILITY CONNECTIVITY CO.,LTD.**  
ISO9001 ISO14001 IATF16949 EV READY

**DEGSON**  
Circular Connectors

**DEGSON PTE. LTD.**  
ISO9001 ISO14001 ISO45001 ISO80079-34 ISO/TS22163 IATF16949

**DEGSON**  
Automation

**DEGSON PTE. LTD.**  
ISO9001 ISO14001 ISO45001 ISO80079-34 ISO/TS22163 IATF16949



**DEGSON**  
**DEGSON PTE. LTD.**

Add: 2 Venture Drive#08-07 Vision  
Exchange Singapore 608526  
www.degson.com

Tel: +0065-69808477

E-mail: sale@degson.com



DEGSON website



LINKEDIN

The catalog is for reference purpose only and details are base on company's specifications



### Customer Benefits

- Conformal coating, dustproof, dampproof, salt fog corrosion resistance
- High MTBF with higher system reliability
- WI wide input series support 180-550VAC
- Complete approval, CE, UL



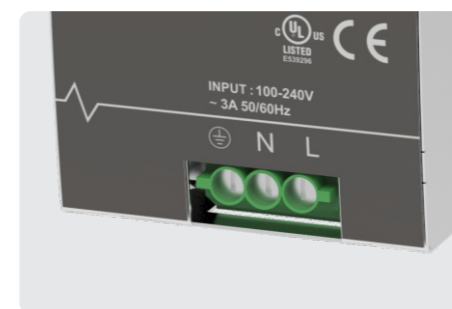
## DPS Series Power Supplies Complete Solution, Reliable Quality

Powerful Industrial Heart to satisfy various powering demand. We provide 1-phase, 3-phase, wide Input 1 or 2-Phase, and redundancy module, which up to 960W with different voltage DC output

- Relay Contact
- Remote feedback and monitoring



- DC OK Led
- Output monitoring with indicator
- Protect during abnormal state
- Over load, over voltage, over temperature, etc



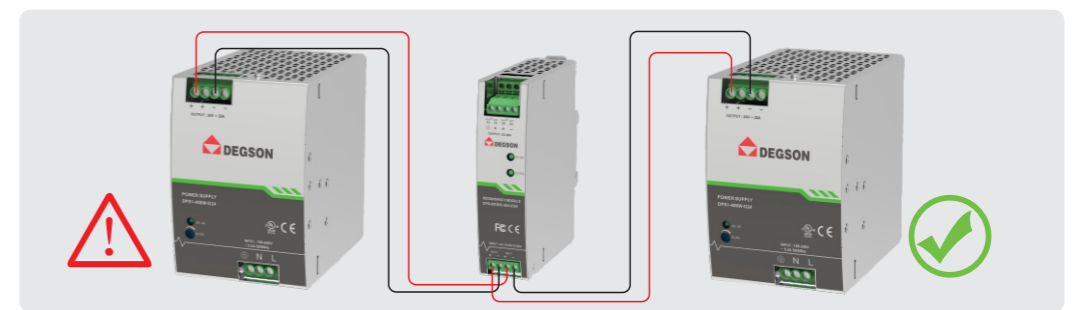
### Safety Input

Wide Input range to avoid voltage fluctuation; High efficiency with built in PFC



### Reliable Output

Stable & Adjustable DC output; High output accuracy



### Redundant System

Support 1+1, 1+N or used alone, increase system reliability



**Features**

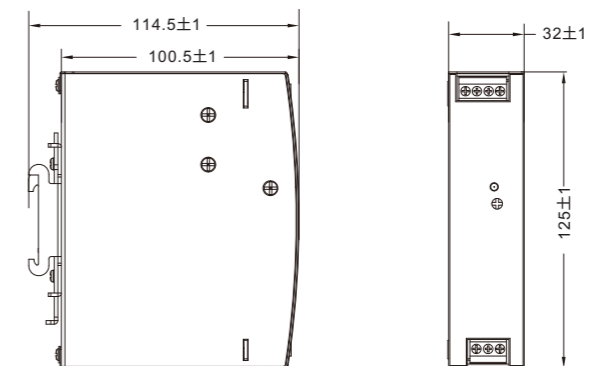
- DC Output Voltage Adjustable
- Universal AC Input 90~264V
- Protection: Short Circuit/Overload/Over Voltage/Over Temperature
- Free Air Convection Design
- Three Years Warranty

**Specification**

Product name	DPS1-75W-D12-02Z(H)	DPS1-75W-D24-02Z(H)	DPS1-75W-D48-02Z(H)
<b>Input Parameter</b>			
Input voltage range	90 ~264VAC, 127 ~ 370VDC[DC input by connecting AC/L(+),AC/N(-)]		
Input frequency range	47...63Hz		
Input current	1.45A/115VAC 0.9A/230VAC		
Impulse current	35A/230VAC		
Power consumption	0.5W		
Connection mode	Terminal blocks		
<b>Output Parameter</b>			
Output efficiency	85.5%	88%	88%
Output rated voltage	12V	24V	48V
Range of output voltage	12~14V	24~28V	48~55V
Output rated current	6.3A	3.2A	1.6A
Rated power	75.6W	76.8W	76.8W
Voltage ripple (20MHz)	80 mVp-p	120 mVp-p	150 mVp-p
Setup, Rise time	1200ms, 60ms/230VAC at full load 2000ms, 60ms/115VAC at full load		
Line regulation	±0.5%		
Load regulation	±1.0%		
Leakage current	<1mA/240VAC		
Coefficient of temperature drift	±0.03%/°C(0~50°C)		
Power-down hold time	60ms/230VAC at fullload 12ms/115VAC at full load		
Switching frequency	50Khz~80Khz		
Connection mode	Terminal blocks		

Product name	DPS1-75W-D12-02Z(H)	DPS1-75W-D24-02Z(H)	DPS1-75W-D48-02Z(H)
<b>Mechanical Parameter</b>			
Size (L X W X D)	125×32×100.5mm		
Weight	0.51kg		
Shell material	Metal		
DC light	OK		
<b>Environmental Parameter</b>			
Working temperature	-20 ~ +70 °C (Refer to "Derating Curve")		
Storage temperature	-40°C ~ + 85°C		
Storage humidity	10...95%RH non-condensing		
Working humidity	20 ~ 95% RH non-condensing		
Vibration test	IEC 60068-2-6(X, Y, Z axis, 2G)		
Operational altitude	2000m		
<b>Security Parameter</b>			
Overcurrent protection range	105 ~ 130% rated output power Protection type : Constant current limiting, recovers automatically		
Overvoltage protection	14~17V	29~33V	56~65V
	Protection type : Constant current limiting, recovers automatically after fault condition is removed		
Overheat protection	Protection type : Shut down o/p voltage, re-power on to recover		
Short circuit protection	3.2A shutdown, restart and restore		
Safety standard	UL508.BS/EN62368-1		
Mean Time between failures	2343.7K hrs min. Telordia SR-332 (Bellcore)		

**Dimensional Drawing**



DPS1-120 W Power Supplies



Features

- DC Output Voltage Adjustable
- Universal AC Input 90~264V
- Protection: Short Circuit/Overload/Over Voltage/Over Temperature
- Free Air Convection Design
- Three Years Warranty

Specification

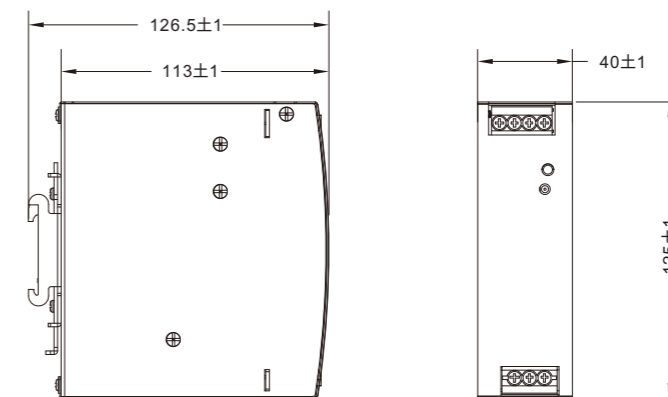
Product name	DPS1-120W-D12-02Z(H)	DPS1-120W-D24-02Z(H)	DPS1-120W-D48-02Z(H)
<b>Input Parameter</b>			
Input voltage range	90 ~264VAC, 127 ~ 370VDC[DC input by connecting AC/L(+),AC/N(-)]		
Input frequency range	47...63Hz		
Input current	2.25A/115VAC 1.3A/230VAC		
Impulse current	35A/230VAC		
Power consumption	0.6W		
Connection mode	Terminal blocks		
<b>Output Parameter</b>			
Output efficiency	85.5%	88%	89%
Output rated voltage	12V	24V	48V
Range of output voltage	12~14V	24~28V	48~55V
Output rated current	10A	5A	2.5A
Rated power	120W		
Voltage ripple (20MHz)	100 mVp-p	120 mVp-p	150 mVp-p
Setup, Rise time	1200ms, 60ms/230VAC at full load 2500ms, 60ms/115VAC at full load		
Line regulation	±0.5%		
Load regulation	±1.0%		
Leakage current	<1mA/240VAC		
Coefficient of temperature drift	±0.03%/°C(0~50°C)		
Power-down hold time	16ms/230VAC at fullload 10ms/115VAC at full load		
Switching frequency	50Khz~80Khz		
Connection mode	Terminal blocks		

DPS1-120 W Power Supplies



Product name	DPS1-120W-D12-02Z(H)	DPS1-120W-D24-02Z(H)	DPS1-120W-D48-02Z(H)
<b>Mechanical Parameter</b>			
Size (L X W X D)	125×40×113mm		
Weight	0.6kg		
Shell material	Metal		
DC light	OK		
<b>Environmental Parameter</b>			
Working temperature	-20 ~ +70 °C (Refer to "Derating Curve")		
Storage temperature	-40~+85 °C, 10 ~95% RH		
Storage humidity	10...95%RH non-condensing		
Working humidity	20 ~ 95% RH non-condensing		
Vibration test	IEC 60068-2-6(X, Y, Z axis, 2G)		
Operational altitude	2000m		
<b>Security Parameter</b>			
Overcurrent protection range	105 ~ 130% rated output power Protection type : Constant current limiting, recovers automatically		
Overvoltage protection	14~17V	29~33V	56~65V
	Protection type : Constant current limiting, recovers automatically after fault condition is removed		
Overheat protection	Protection type : Shut down o/p voltage, re-power on to recover		
Short circuit protection	3.2A shutdown, restart and restore		
Safety standard	UL508,BS/EN62368-1		
Mean Time between failures	2241.28K hrs min. Telcordia SR-332 (Bellcore)		

Dimensional Drawing





**Features**

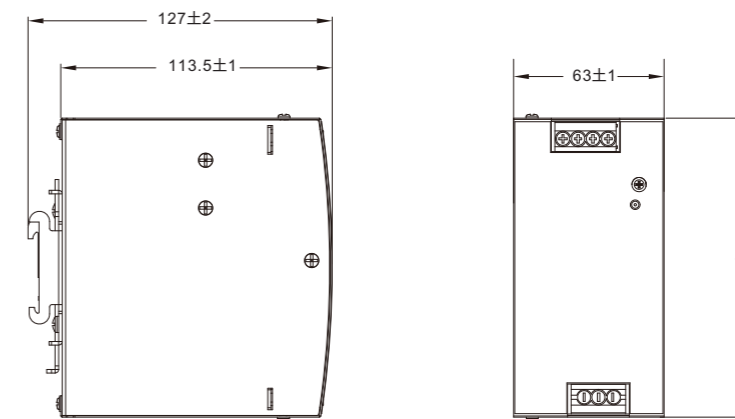
- DC Output Voltage Adjustable
- Universal AC Input 90~264V
- Protection: Short Circuit/Overload/Over Voltage/Over Temperature
- Free Air Convection Design
- Three Years Warranty

**Specification**

Product name	DPS1-240W-D24-02Z(H)	DPS1-240W-D48-02Z(H)
<b>Input Parameter</b>		
Input voltage range	90 ~264VAC, 127 ~ 370VDC[DC input by connecting AC/L(+),AC/N(-)]	
Input frequency range	47...63Hz	
Input current	2.5A/115VAC 1.3A/230VAC	
Impulse current	35A/230VAC	
Power consumption	5W	
Connection mode	Terminal blocks	
<b>Output Parameter</b>		
Output efficiency	87%	88%
Output rated voltage	24V	48V
Range of output voltage	24~28V	48~55V
Output rated current	10A	5A
Rated power	240W	
Voltage ripple (20MHz)	150 mVp-p	
Setup, Rise time	1500ms, 100ms/230VAC at full load 3000ms, 100ms/115VAC at full load	
Line regulation	±0.5%	
Load regulation	±1.0%	
Leakage current	<1mA/240VAC	
Coefficient of temperature drift	±0.03%/°C(0~50°C)	
Power-down hold time	16ms/230VAC at fullload 12ms/115VAC at full load	
Switching frequency	50Khz~80Khz	
Connection mode	Terminal blocks	

Product name	DPS1-240W-D24-02Z(H)	DPS1-240W-D48-02Z(H)
<b>Mechanical Parameter</b>		
Size (L X W X D)	125×63×113.5mm	
Weight	1kg	
Shell material	Metal	
DC light	OK	
<b>Environmental Parameter</b>		
Working temperature	-20 ~ +70 °C (Refer to "Derating Curve")	
Storage temperature	-40°C ~ + 85°C	
Storage humidity	10...95%RH non-condensing	
Working humidity	20 ~ 95% RH non-condensing	
Vibration test	IEC 60068-2-6(X, Y, Z axis, 2G)	
Operational altitude	2000m	
<b>Security Parameter</b>		
Overcurrent protection range	105 ~ 130% rated output power Protection type : Constant current limiting, recovers automatically	
Overvoltage protection	29~33V	56~65V
	Protection type : Constant current limiting, recovers automatically after fault condition is removed	
Overheat protection	Protection type : Shut down o/p voltage, re-power on to recover	
Short circuit protection	10-13A Hiccup Protection	
Safety standard	UL508.BS/EN62368-1	
Mean Time between failures	1398.4K hrs min. Telordia SR-332 (Bellcore)	

**Dimensional Drawing**





**Features**

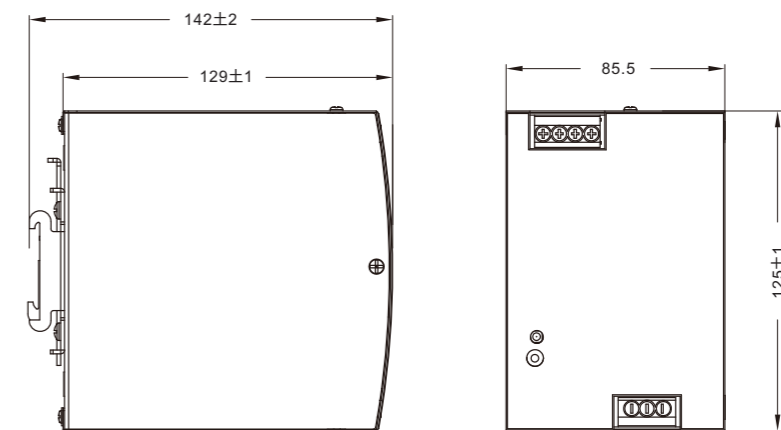
- DC Output Voltage Adjustable
- Universal AC Input 90~264V
- Protection: Short Circuit/Overload/Over Voltage/Over Temperature
- Free Air Convection Design
- Three Years Warranty

**Specification**

Product name	DPS1-480W-D24-02Z(H)	DPS1-480W-D48-02Z(H)
<b>Input Parameter</b>		
Input voltage range	90 ~264VAC, 127 ~ 370VDC[DC input by connecting AC/L(+),AC/N(-)]	
Input frequency range	47...63Hz	
Input current	4.8A/115VAC	2.4A/230VAC
Impulse current	35A/230VAC	
Power consumption	7W	
Connection mode	Terminal blocks	
<b>Output Parameter</b>		
Output efficiency	92%	
Output rated voltage	24V	48V
Range of output voltage	24~28V	48~55V
Output rated current	20A	10A
Rated power	480W	
Voltage ripple (20MHz)	150 mVp-p	
Setup, Rise time	1500ms, 100ms/230VAC at full load 3000ms, 100ms/115VAC at full load	
Line regulation	±0.5%	
Load regulation	±1.0%	
Leakage current	<1mA/240VAC	
Coefficient of temperature drift	±0.03%/°C(0~50°C)	
Power-down hold time	16ms/230VAC at fullload 12ms/115VAC at full load	
Switching frequency	50Khz~80Khz	
Connection mode	Terminal blocks	

Product name	DPS1-480W-D24-02Z(H)	DPS1-480W-D48-02Z(H)
<b>Mechanical Parameter</b>		
Size (L X W X D)	125×85.5×129mm	
Weight	1.5kg	
Shell material	Metal	
DC light	OK	
<b>Environmental Parameter</b>		
Working temperature	-20 ~ +70 °C (Refer to "Derating Curve")	
Storage temperature	-40°C ~ + 85°C	
Storage humidity	10...95%RH non-condensing	
Working humidity	20 ~ 95% RH non-condensing	
Vibration test	IEC 60068-2-6(X, Y, Z axis, 2G)	
Operational altitude	2000m	
<b>Security Parameter</b>		
Overcurrent protection range	105 ~ 130% rated output power Protection type : Constant current limiting, recovers automatically	
Overvoltage protection	29~33V	56~65V
	Protection type : Constant current limiting, recovers automatically after fault condition is removed	
Overheat protection	Protection type : Shut down o/p voltage, re-power on to recover	
Short circuit protection	20-25A latching, reloading and restarting	
Safety standard	UL508.BS/EN62368-1	
Mean Time between failures	885.4K hrs min. Telordia SR-332 (Bellcore)	

**Dimensional Drawing**





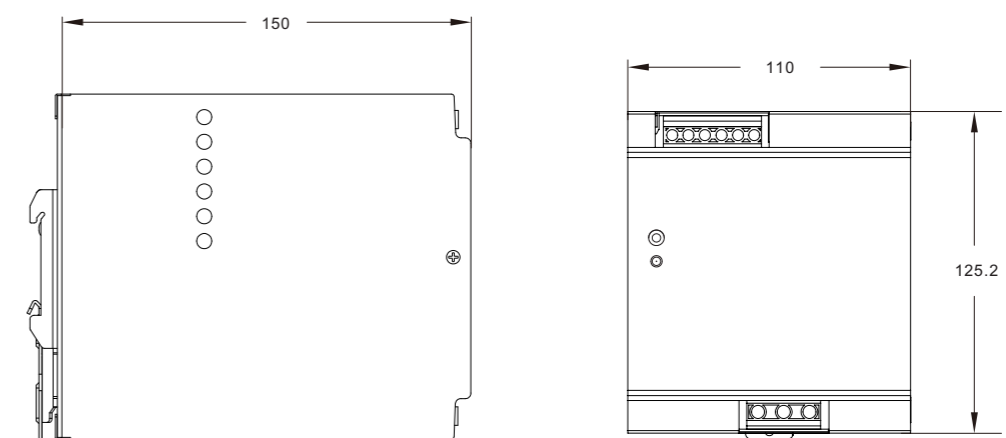
**Features**

- Higher Peak load capability
- Parallel connections with max 4 PSU up to 3840W
- Built-in DC OK Contact
- Built-in Active PFC Function
- DC Output Voltage Adjustable
- Three Years Warranty

**Specification**

Product name	DPS1-960W-D24-02Z(H)	DPS1-960W-D48-02Z(H)
<b>Input Parameter</b>		
Input voltage range	180~264VAC 257~370VDC	
Input frequency range	47...63Hz	
Input Current	6A/230VAC	
Impulse current	50A/230VAC cold start	
Power consumption	7W	
Connection mode	Terminal blocks	
<b>Output Parameter</b>		
Output efficiency	94%	
Output rated voltage	24V	48V
Range of output voltage	24~28V	48~55V
Output rated current	40A	20A
Rated power	960W	
Voltage ripple (20MHz)	180 mVp-p	250 mVp-p
Setup, Rise time	1000ms, 100ms/230VAC at full load	
Line regulation	±0.5%	
Load regulation	±1.0%	
Leakage current	<3.5mA /240VAC	
Coefficient of temperature drift	±0.03%/°C(0~50C)	
Power-down hold time	14ms/230VAC at full load	
Switching frequency	50Khz~80Khz	
Connection mode	Terminal blocks	

Product name	DPS1-960W-D24-02Z(H)	DPS1-960W-D48-02Z(H)
<b>Mechanical Parameter</b>		
Size (L X W X D)	125.2×110×150mm	
Weight	2.47kg	
Shell material	Metal	
DC light	OK	
<b>Environmental Parameter</b>		
Working temperature	-30 ~ +70 °C (Refer to "Derating Curve")	
Storage temperature	-40°C ~ + 85°C	
Storage humidity	10 ~ 95% RH non-condensing	
Working humidity	20 ~ 95% RH non-condensing	
Vibration test	IEC 60068-2-6(X, Y, Z axis, 2G)	
Operational altitude	2000m	
<b>Security Parameter</b>		
Overcurrent protection range	Normally works within 105 ~ 130% rated output power for more than 3 seconds and then shut down o/p voltage with auto-recovery after 30 seconds if the peak load condition is removed. Constant current limiting within 130 ~ 150% rated output power for more than 3 seconds and then shut down o/p voltage, re-power on to recover	
Overvoltage protection	29~33V	56~65V
	Protection type : Shut down o/p voltage, recovers automatically after temperature goes down	
Overheat protection	Protection type : Shut down o/p voltage, recovers automatically after temperature goes down	
Short circuit protection	Restart and restore	
Safety standard	UL508,BS/EN62368-1	
Mean Time between failures	561.17K hrs min. Telcordia SR-332 (Bellcore)	
<b>Dimensional Drawing</b>		





**Features**

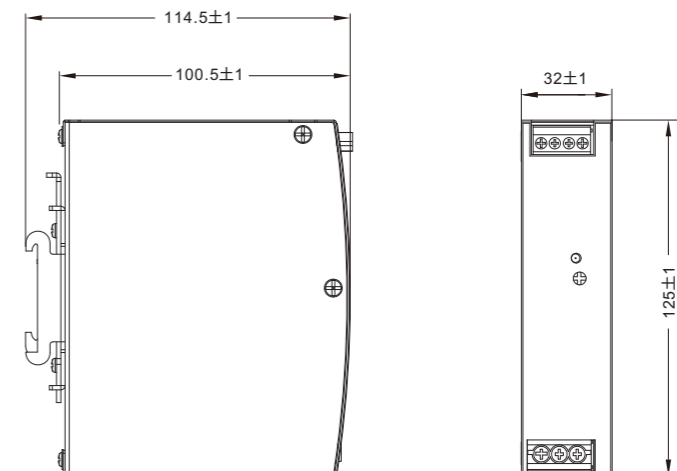
- Single or Two Phase Ultra Wide Input Range 180~550 VAC
- Over Voltage Category III
- Built-in DC OK Contact
- Protection: Short Circuit/Overload/Over Voltage/Over Temperature
- Built-in Constant Current Limiting Circuit
- Three Years Warranty

**Specification**

Product name	DPS1-WI-60W-D5-02Z(H)	DPS1-WI-60W-D12-02Z(H)	DPS1-WI-60W-D24-02Z(H)	DPS1-WI-60W-D48-02Z(H)
<b>Input Parameter</b>				
Input voltage range	180 ~ 550VAC 254 ~ 780VDC			
Input frequency range	47...63Hz			
Input Current	0.4A/400Vac 0.7A/230Vac			
Impulse current	COLD START 50A			
Power consumption	3W			
Connection mode	Terminal blocks			
<b>Output Parameter</b>				
Output efficiency	83.5%/400Vac	86.5%/400Vac	89%/400Vac	90.5%/400Vac
Output rated voltage	5V	12V	24V	48V
Range of output voltage	5-6V	12-15V	24-29V	48-57V
Output rated current	10A	5A	2.5A	1.25A
Rated power	50W	60W	60W	60W
Voltage ripple (20MHz)	100 mVp-p	120 mVp-p	150 mVp-p	200 mVp-p
Setup, Rise time	1000ms, 70ms /400VAC at full load 2000ms, 70ms /230VAC at full load			
Line regulation	±0.5%			
Load regulation	±1.5%	±0.5%	±0.5%	±0.5%
Leakage current	<2mA /530Vac			
Coefficient of temperature drift	±0.03%/°C(0~60°C)			
Power-down hold time	20ms /400VAC at full load 10ms /230VAC at full load			
Switching frequency	50Khz~80Khz			
Connection mode	Terminal blocks			

Product name	DPS1-WI-60W-D5-02Z(H)	DPS1-WI-60W-D12-02Z(H)	DPS1-WI-60W-D24-02Z(H)	DPS1-WI-60W-D48-02Z(H)
<b>Mechanical Parameter</b>				
Size (L X W X D)	32×100.5×125mm			
Weight	0.45kg			
Shell material	Metal			
DC light	OK			
DC OK contact	30VDC 1A resistive load			
<b>Environmental Parameter</b>				
Working temperature	-30 ~ +85 °C (Refer to "Derating Curve")			
Storage temperature	-40°C ~ + 85°C			
Storage humidity	10...95%RH non-condensing			
Working humidity	20 ~ 95% RH non-condensing			
Vibration test	Component: 10 ~ 500Hz, 2G 10min./1cycle, 60min, each along X, Y Z axes; Mounting clip: Compliance to IEC60068-2-6.			
Operational altitude	2000m			
<b>Security Parameter</b>				
Overcurrent protection range	105 ~ 135% rated output power Hiccup mode when output voltage <50%, recovers automatically after fault condition is removed. Constant current limiting within 50% ~ 100% rated output voltage, recovers automatically after fault condition is removed			
Overvoltage protection	6.2-7.2V	16-18V	31-37V	58-60.5V
Overheat protection	Protection type : Shut down o/p voltage, re-power on to recover			
Short circuit protection	Hiccup mode			
Safety standard	UL61010-1,UL61010-2-201,BS EN/EN62368-1			
Mean Time between failures	1600K hrs min. Telcordia SR-332 (Bellcore)			

**Dimensional Drawing**







**Features**

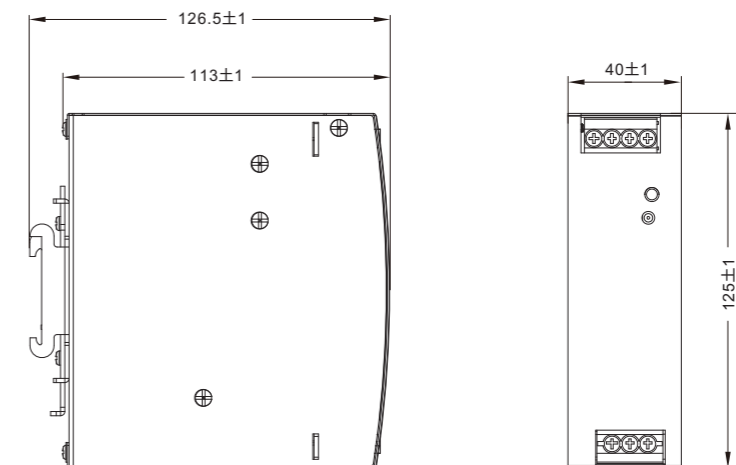
- Single or Two Phase Ultra Wide Input Range 180~550VAC
- Protection: Short Circuit/Overload/Over Voltage/Over Temperature
- Built-in DC OK Contact
- Built-in Constant Current Limiting Circuit
- Three Years Warranty

**Specification**

Product name	DPS1-WI-120W-D12-02Z(H)	DPS1-WI-120W-D24-02Z(H)	DPS1-WI-120W-D48-02Z(H)
<b>Input Parameter</b>			
Input voltage range	180 ~ 550VAC 254 ~ 780VDC		
Input frequency range	47...63Hz		
Input Current	0.4A/400Vac 1.2A/230Vac		
Impulse current	COLD START 50A		
Power consumption	3W		
Connection mode	Terminal blocks		
<b>Output Parameter</b>			
Output efficiency	89.5%/400Vac	91.0%/400Vac	92.0%/400Vac
Output rated voltage	12V	24V	48V
Range of output voltage	12~15V	24~29V	48~58V
Output rated current	10A	5A	2.5A
Rated power	120W		
Voltage ripple (20MHz)	120 mVp-p	120 mVp-p	150 mVp-p
Setup, Rise time	1000ms, 70ms /400VAC at full load 2000ms, 70ms /230VAC at full load		
Line regulation	±0.5%		
Load regulation	±0.5%		
Leakage current	<3.5mA / 530Vac		
Coefficient of temperature drift	±0.03%/°C(0~50°C)		
Power-down hold time	18ms /400VAC at full load 18ms /230VAC at full load		
Switching frequency	50Khz~80Khz		
Connection mode	Terminal blocks		

Product name	DPS1-WI-120W-D12-02Z(H)	DPS1-WI-120W-D24-02Z(H)	DPS1-WI-120W-D48-02Z(H)
<b>Mechanical Parameter</b>			
Size (L X W X D)	40x113x125mm		
Weight	0.65kg		
Shell material	Metal		
DC light	OK		
DC OK contact	30VDC 1A resistive load		
<b>Environmental Parameter</b>			
Working temperature	-25 ~ +70 °C (Refer to "Derating Curve")		
Storage temperature	-40°C ~ + 85°C		
Storage humidity	10...95%RH non-condensing		
Working humidity	20 ~ 95% RH non-condensing		
Vibration test	Component: 10 ~ 500Hz, 2G 10min./1cycle, 60min. each along X, Y Z axes; Mounting clip: Compliance to IEC60068-2-6.		
Operational altitude	2000m		
<b>Security Parameter</b>			
Overcurrent protection range	105 ~ 130% rated output power Protection type : Constant current limiting, recovers automatically after fault condition is removed		
Overvoltage protection	15~17V	29~33V	58~65V
	Protection type : Shut down o/p voltage, re-power on to recover		
Overheat protection	Shut down o/p voltage, recovers automatically after temperature goes down		
Short circuit protection	Self-recovery		
Safety standard	UL61010-1, UL61010-2-201, BS EN/EN62368-1		
Mean Time between failures	1600K hrs min. Telcordia SR-332 (Bellcore)		

**Dimensional Drawing**





**Features**

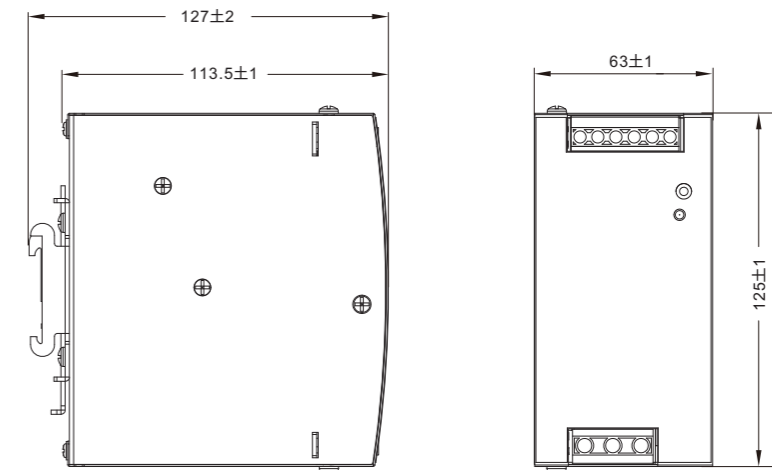
- Single or Two Phase Ultra Wide Input Range 180~550VAC
- Built-in Active PFC Circuit
- Built-in DC OK Contact
- Protection: Short Circuit/Overload/Over Voltage/Over Temperature
- Built-in Constant Current Limiting Circuit
- High Efficiency 91% and Lower Power Dissipation
- Three Years Warranty

**Specification**

Product name	DPS1-WI-240W-D24-02Z(H)	DPS1-WI-240W-D48-02Z(H)
<b>Input Parameter</b>		
Input voltage range	180 ~ 550VAC 254 ~ 780VDC	
Input frequency range	47...63Hz	
Input current	1A/400Vac 2A/230Vac	
Impulse current	COLD START 50A	
Power consumption	6W	
Connection mode	Terminal blocks	
<b>Output Parameter</b>		
Output efficiency	91%	
Output rated voltage	24V	48V
Range of output voltage	24~28V	48~55V
Output rated current	10A	5A
Rated power	240W	
Voltage ripple (20MHz)	150mVp-p	
Setup, Rise time	800ms, 150ms/400Vac at full load 1500ms, 150ms/230Vac at full load	
Line regulation	±0.5%	
Load regulation	±1.0%	
Leakage current	<3.5mA / 530Vac	
Coefficient of temperature drift	±0.03%/°C(0~50°C)	
Power-down hold time	18ms/400Vac at full load 18ms/230Vac at full load	
Switching frequency	50Khz~80Khz	
Connection mode	Terminal blocks	

Product name	DPS1-WI-240W-D24-02Z(H)	DPS1-WI-240W-D48-02Z(H)
<b>Mechanical Parameter</b>		
Size (L X W X D)	63×113.5×125mm	
Weight	1kg	
Shell material	Metal	
DC light	OK	
DC OK contact	60VDC 0.3A, 30VDC 1A, 30VAC 0.5A resistive load	
<b>Environmental Parameter</b>		
Working temperature	-30 ~ +70 °C (Refer to "Derating Curve")	
Storage temperature	-40°C ~ + 85°C	
Storage humidity	10...95%RH non-condensing	
Working humidity	20 ~ 95% RH non-condensing	
Vibration test	Component: 10 ~ 500Hz, 2G 10min./1cycle, 60min. each along X, Y Z axes; Mounting clip: Compliance to IEC60068-2-6.	
Operational altitude	2000m	
<b>Security Parameter</b>		
Overcurrent protection range	105 ~ 130% rated output power Protection type : Constant current limiting, unit will shut down after 3 sec., auto-recovery after 1 minute if the fault condition is removed.	
Overvoltage protection	29~33V	56~65V
	Protection type: Shut down o/p voltage, auto-recovery after 1 minute if the fault condition is removed.	
Overheat protection	90 °C±5°C (TSW) detect on heat sink of power switch. Protection type : Shut down o/p voltage, recovers automatically after temperature goes down.	
Short circuit protection	Self-recovery	
Safety standard	UL61010-1, UL61010-2-201, BS EN/EN62368-1	
Mean Time between failures	900K hrs min. Telcordia SR-332 (Bellcore)	

**Dimensional Drawing**





**Features**

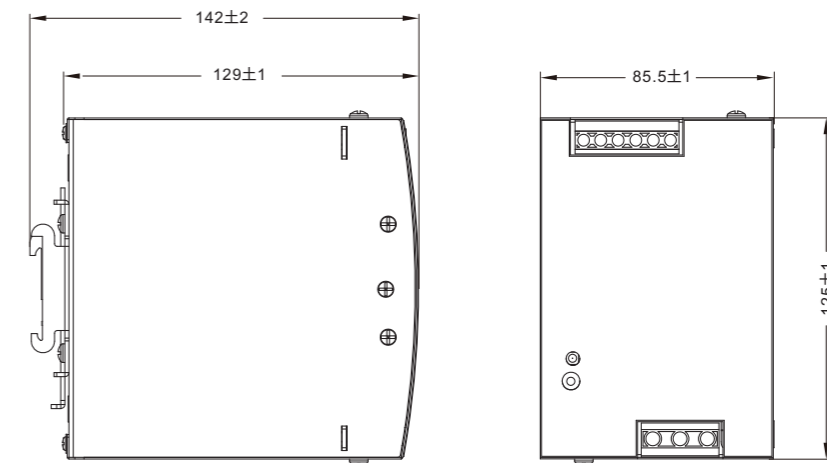
- Single or Two Phase Ultra Wide Input Range 180~550VAC
- Built-in Active PFC Circuit
- Built-in DC OK Contact
- Protection: Short Circuit/Overload/Over Voltage/Over Temperature
- Built-in Constant Current Limiting Circuit
- High Efficiency 93% and Lower Power Dissipation
- Three Years Warranty

**Specification**

Product name	DPS1-WI-480W-D24-02Z(H)	DPS1-WI-480W-D48-02Z(H)
<b>Input Parameter</b>		
Input voltage range	180 ~ 550VAC 254 ~ 780VDC	
Input frequency range	47...63Hz	
Input current	1.6A/400Vac 4A/230Vac	
Impulse current	COLD START 50A	
Power consumption	7W	
Connection mode	Terminal blocks	
<b>Output Parameter</b>		
Output efficiency	91%	93%
Output rated voltage	24V	48V
Range of output voltage	24~28V	48~55V
Output rated current	20A	10A
Rated power	480W	
Voltage ripple (20MHz)	100 mVp-p	150 mVp-p
Setup, Rise time	800ms, 150ms/400Vac at full load 1500ms, 150ms/230Vac at full load	
Line regulation	±0.5%	
Load regulation	±1.0%	
Leakage current	<3.5mA / 530Vac	
Coefficient of temperature drift	±0.03%/°C(0~50°C)	
Power-down hold time	18ms/400Vac at full load 16ms/400Vac at full load	
Switching frequency	50Khz~80Khz	
Connection mode	Terminal blocks	

Product name	DPS1-WI-480W-D24-02Z(H)	DPS1-WI-480W-D48-02Z(H)
<b>Mechanical Parameter</b>		
Size (L X W X D)	85.5×129×125mm	
Weight	1.7kg	
Shell material	Metal	
DC light	OK	
DC OK contact	60VDC 0.3A, 30VDC 1A, 30VAC 0.5A resistive load	
<b>Environmental Parameter</b>		
Working temperature	-30 ~ +70 °C (Refer to "Derating Curve")	
Storage temperature	-40°C ~ + 85°C	
Storage humidity	10...95%RH non-condensing	
Working humidity	20 ~ 95% RH non-condensing	
Vibration test	Component: 10 ~ 500Hz, 2G 10min./1cycle, 60min. each along X, Y, Z axes; Mounting clip: Compliance to IEC60068-2-6.	
Operational altitude	2000m	
<b>Security Parameter</b>		
Overcurrent protection range	105 ~ 130% rated output power. Protection type : Constant current limiting, unit will shut down after 3 sec., auto-recovery after 1 minute if the fault condition is removed .	
Overvoltage protection	29~33V	56~65V
	Protection type: Shut down o/p voltage, auto-recovery after 1 minute if the fault condition is removed.	
Overheat protection	95 °C ±5°C (TSW) detect on heat sink of power switch. Protection type : Shut down o/p voltage, recovers automatically after temperature goes down.	
Short circuit protection	Self-recovery	
Safety standard	UL61010-1, UL61010-2-201, BS EN/EN62368-1	
Mean Time between failures	700K hrs min. Telcordia SR-332 (Bellcore) ; 112.8K hrs min. MILHDBK-217F(25 C)	

**Dimensional Drawing**





**Features**

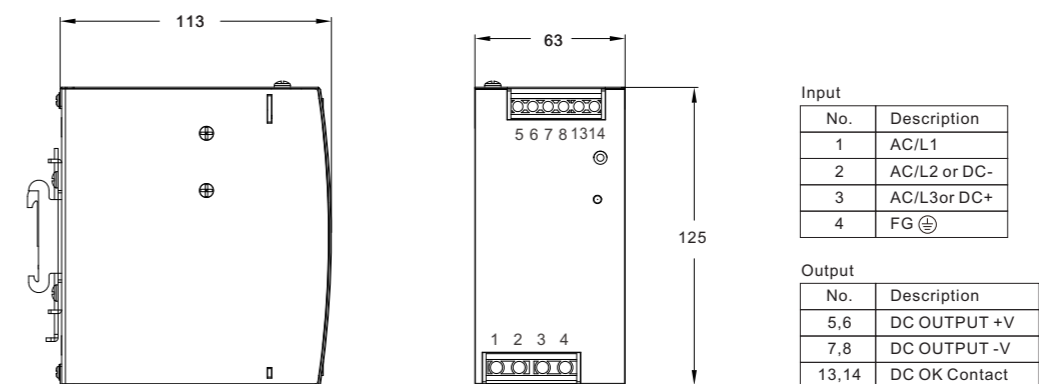
- 3-Phase 340~550VAC Wide Range Input (2-phase operation possible)
- Built-in Passive PFC Function
- Protection: Short Circuit/Overload/Over Voltage/Over Temperature
- DC OK Contact
- Built-in Constant Current Limiting Circuit
- High Efficiency 92% and Low Power Dissipation
- Full Power Between -30~+60°C
- Three Years Warranty

**Specification**

Product name	DPS3-240W-D24-02Z(H)	DPS3-240W-D48-02Z(H)
<b>Input Parameter</b>		
Input voltage range	Three-Phase 340 ~ 550VAC (Dual phase operation possible inconnecting L1,L3,FG or L2,L3,FG) or 480 ~ 780VDC	
Input frequency range	47...63Hz	
Input current	0.69A/400VAC 0.6A/500VAC	
Impulse current	COLD START 50A	
Power consumption	5W	
Connection mode	Terminal blocks	
<b>Output Parameter</b>		
Output efficiency	92%	
Output rated voltage	24V	48V
Range of output voltage	24~28V	48~55V
Output rated current	10A	5A
Rated power	240W	
Voltage ripple (20MHz)	100 mVp-p	120 mVp-p
Setup, Rise time	2000ms, 60ms/400VAC at full load 1500ms, 60ms/500VAC at full load	
Line regulation	±0.5%	
Load regulation	±1.0%	
Leakage current	<2mA / 530VAC	
Coefficient of temperature drift	±0.05%/°C(0~60°C)	
Power-down hold time	20ms/400VAC at fullload 40ms/500VAC at full load	
Switching frequency	50Khz~80Khz	
Connection mode	Terminal blocks	

Product name	DPS3-240W-D24-02Z(H)	DPS3-240W-D48-02Z(H)
<b>Mechanical Parameter</b>		
Size (L X W X D)	63×113×125mm	
Weight	1kg	
Shell material	Metal	
DC light	OK	
DC OK contact	30VDC 1A, 30VAC 0.5A resistive load	
<b>Environmental Parameter</b>		
Working temperature	-30 ~ +70 °C (Refer to "Derating Curve")	
Storage temperature	-40°C ~ + 85°C	
Storage humidity	10 ~ 95% RH non-condensing	
Working humidity	20 ~ 95% RH non-condensing	
Vibration test	Component:10 ~500Hz, 2G 10min./1cycle, 60min. each alongX,Y, Z axes; Mounting: Compliance to IEC60068-2-6	
Operational altitude	5000m	
<b>Security Parameter</b>		
Overcurrent protection range	105 ~ 130% rated output power Protection type : Constant current limiting, unit will hiccup after 3 sec	
Overvoltage protection	30~36V	56~65V
	Protection type : Constant current limiting, recovers automatically after fault condition is removed	
Overheat protection	Shut down o/p voltage, recovers automatically after temperature goes down	
Short circuit protection	Hiccup mode	
Safety standard	UL61010-1,UL61010-2-201,BS EN/EN61558-1,BS ENEN61558-2-16	
Mean Time between failures	1500K hrs min. Telcordia SR-332(Bellcore)	

**Dimensional Drawing**





**Features**

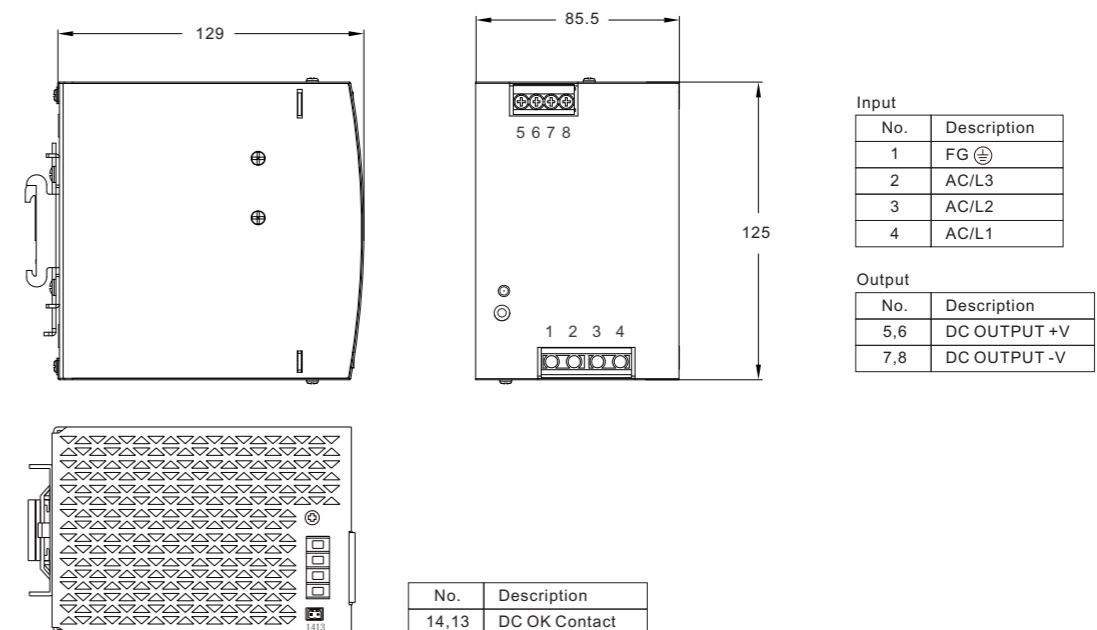
- 3-Phase 340~550VAC Wide Range Input (2-phase operation possible)
- Built-in Passive PFC Function
- Protection: Short Circuit/Overload/Over Voltage/Over Temperature
- DC OK Contact
- Built-in Constant Current Limiting Circuit
- High Efficiency 92% and Low Power Dissipation
- Full Power Between -30~+60°C
- Three Years Warranty

**Specification**

Product name	DPS3-480W-D24-02Z(H)	DPS3-480W-D48-02Z(H)
<b>Input Parameter</b>		
Input voltage range	Three-Phase 340 ~ 550VAC (Dual phase operation possible inconnecting L1,L3,FG or L2,L3,FG) or 480 ~780VDC	
Input frequency range	47...63Hz	
Input current	0.85A/400VAC 0.7A/500VAC	
Impulse current	COLD START 50A	
Power consumption	7W	
Connection mode	Terminal blocks	
<b>Output Parameter</b>		
Output efficiency	92%	
Output rated voltage	24V	48V
Range of output voltage	24~28V	48~55V
Output rated current	20A	10A
Rated power	480W	
Voltage ripple (20MHz)	150 mVp-p	
Setup, Rise time	1200ms, 60ms/400VAC at full load 800ms, 60ms/500VAC at full load	
Line regulation	±0.5%	
Load regulation	±1.0%	
Leakage current	<3.5/ 530VAC	
Coefficient of temperature drift	±0.03%/°C(0~50°C)	
Power-down hold time	20ms/400VAC at fullload 20ms/500VAC at full load	
Switching frequency	50Khz~80Khz	
Connection mode	Terminal blocks	

Product name	DPS3-480W-D24-02Z(H)	DPS3-480W-D48-02Z(H)
<b>Mechanical Parameter</b>		
Size (L X W X D)	85.5×129×125mm	
Weight	1.51kg	
Shell material	Metal	
DC light	OK	
DC OK contact	60VDC 0.3A, 30VDC 1A, 30VAC 0.5A resistive load	
<b>Environmental Parameter</b>		
Working temperature	-30 ~ +70 °C (Refer to "Derating Curve")	
Storage temperature	-40°C ~ + 85°C	
Storage humidity	10 ~ 95% RH non-condensing	
Working humidity	20 ~ 95% RH non-condensing	
Vibration test	Component:10 ~500Hz, 2G 10min./1cycle, 60min. each along X,Y, Z axes; Mounting: Compliance to IEC60068-2-6	
Operational altitude	5000m	
<b>Security Parameter</b>		
Overcurrent protection range	105 ~ 130% rated output power Protection type : Constant current limiting, unit will hiccup after 3 sec	
Overvoltage protection	29~33V	56~65V
	Protection type: Shut down o/p voltage, re-power on to recover	
Overheat protection	Shut down o/p voltage, recovers automatically after temperature goes down	
Short circuit protection	Locked .Reboot Recovery	
Safety standard	UL61010-1,UL61010-2-201,BS EN/EN61558-1,BS ENEN61558-2-16	
Mean Time between failures	1000K hrs min. Telcordia SR-332(Bellcore)	

**Dimensional Drawing**





**Features**

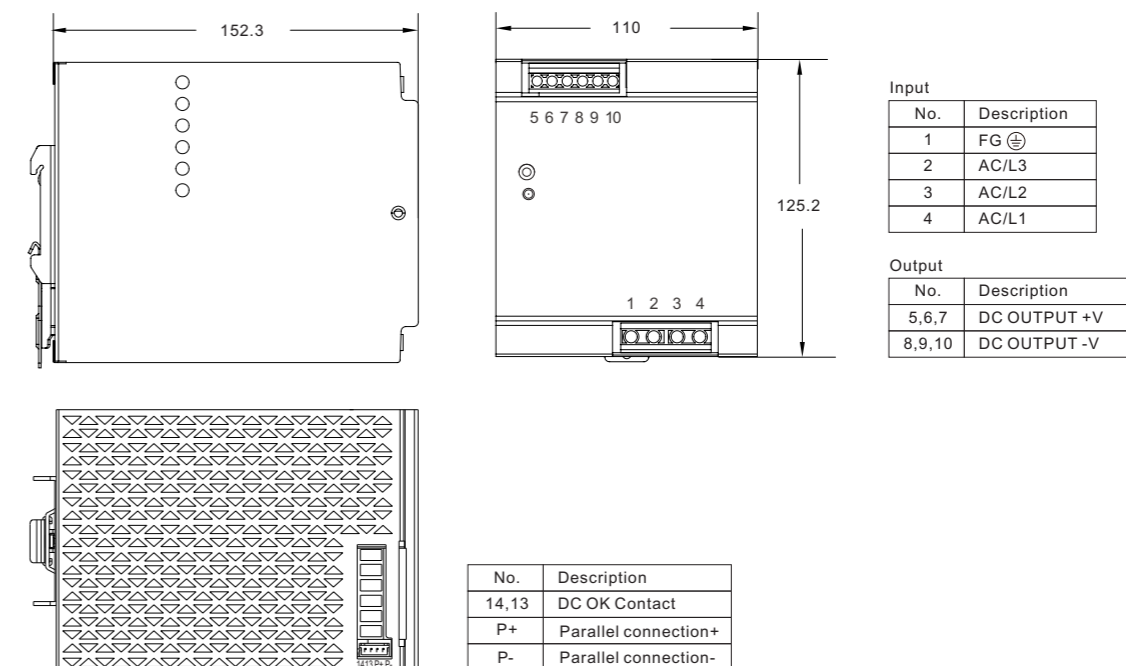
- 3-Phase 340~550VAC Wide Range Input (2-phase operation possible)
- Built-in Passive PFC Function
- Protection: Short Circuit/Overload/Over Voltage/Over Temperature
- DC OK Contact
- Built-in Constant Current Limiting Circuit
- Higher Efficiency and Low Power Dissipation
- Parallel Connections Withmax 4 PSU up to 3840W
- Three Years Warranty

**Specification**

Product name	DPS3-960W-D24-02Z(H)	DPS3-960W-D48-02Z(H)
<b>Input Parameter</b>		
Input voltage range	Three-Phase 340 ~ 550VAC (Dual phase operation possible inconnecting L1,L3,FG or L2,L3,FG) or 480 ~780VDC	
Input frequency range	47...63Hz	
Input current	2A/400VAC 1.4A/500VAC	
Impulse current	COLD START 60A	
Power consumption	15W	
Connection mode	Terminal blocks	
<b>Output Parameter</b>		
Output efficiency	92%	
Output rated voltage	24V	48V
Range of output voltage	24~28V	48~55V
Output rated current	40A	20A
Rated power	960W	
Voltage ripple (20MHz)	180 mVp-p	250 mVp-p
Setup, Rise time	1200ms, 60ms/400VAC at full load 800ms, 60ms/500VAC at full load	
Line regulation	±0.5%	
Load regulation	±1.0%	
Leakage current	<3.5/ 530VAC	
Coefficient of temperature drift	±0.03%/°C(0~50°C)	
Power-down hold time	20ms/400VAC at fullload 20ms/500VAC at full load	
Switching frequency	50Khz~80Khz	
Connection mode	Terminal blocks	

Product name	DPS3-960W-D24-02Z(H)	DPS3-960W-D48-02Z(H)
<b>Mechanical Parameter</b>		
Size (L X W X D)	110×125.2×152.3mm	
Weight	2.47kg	
Shell material	Metal	
DC light	OK	
DC OK contact	30VDC 1A resistive load	
<b>Environmental Parameter</b>		
Working temperature	-30 ~ +70 °C (Refer to "Derating Curve")	
Storage temperature	-40°C ~ + 85°C	
Storage humidity	10 ~ 95% RH non-condensing	
Working humidity	20 ~ 95% RH non-condensing	
Vibration test	Component:10 ~500Hz, 2G 10min./1cycle, 60min. each alongX,Y, Z axes; Mounting: Compliance to IEC60068-2-6	
Operational altitude	2000m	
<b>Security Parameter</b>		
Overcurrent protection range	105 ~ 130% rated output power Protection type: Constant current limiting, unit will shut down after 3sec, re-power on to recover	
Overvoltage protection	29~33V	56~65V
	Protection type: Shut down o/p voltage, re-power on to recover	
Overheat protection	Shut down o/p voltage, recovers automatically after temperature goes down	
Short circuit protection	Locked .Reboot Recovery	
Safety standard	UL61010-1,UL61010-2-201,BS EN/EN62368-1	
Mean Time between failures	550.04K hrs min. Telcordia SR-332(Bellcore)	

**Dimensional Drawing**





**Features**

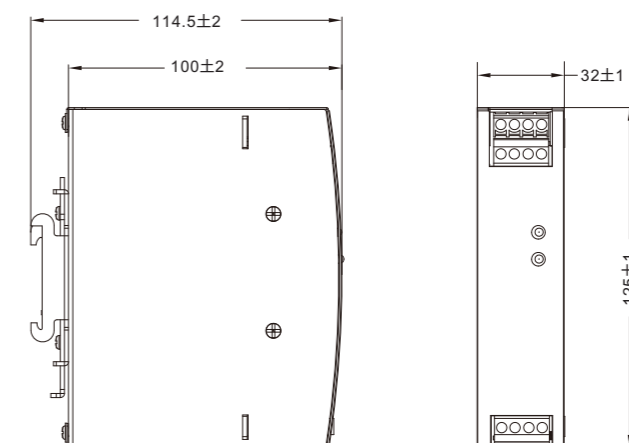
- Support 1+1 and 1+N redundancy system
- Suitable for redundancy operation of 12V/24V/48V systems
- 2 channels input and 1 output
- Built-in 2 channels DC OK signal and alarm relay contact
- Three Years Warranty

**Specification**

Product name	DPS-DIODE-20A-D12-02Z(H)	DPS-DIODE-20A-D24-02Z(H)	DPS-DIODE-20A-D48-02Z(H)
<b>Input Parameter</b>			
Input voltage range	9-14V	19-29V	36-60V
DC rated voltage	12V	24V	48V
Rated current	0~20A per input Continuous		
Efficiency	95%		
Input current	0~20A, Continuous		
Number of input	2 Channels		
Voltage drop(Vin-Vout) (max.)	0.25V		
Peak current	0~30A per input, 5Sec		
Input reverse current (max.)	1mA		
Input reverse voltage(max)	40Vdc		65Vdc
Connection mode	Terminal blocks		
<b>Output Parameter</b>			
Peak current (max.)	30A, 5Sec		
Rated current	0~20A per input Continuous		
Capacitance(Typ.)	320uF		
Standby power losses(Typ.)	1.5W		
Coefficient of temperature drift	±0.03%/°C(0~60°C)		
Connection mode	Terminal blocks		
<b>Function</b>			
Redundancy	For 1+1 redundancy ,and support 1+N redundancy		
Both inputs voltage alarm	<8.5V or >14.7V(±5%)	<18V or >31V(±5%)	<34.2V or >63V(±5%)
Relay	30Vdc/1A resistive load		
Led status display	Green LED OK		

Product name	DPS-DIODE-20A-D12-02Z(H)	DPS-DIODE-20A-D24-02Z(H)	DPS-DIODE-20A-D48-02Z(H)
<b>Mechanical Parameter</b>			
Size (L X W X D)	125×32×100mm		
Weight	0.5kg		
Shell material	Metal		
DC light	OK		
<b>Environmental Parameter</b>			
Cooling	Free air convection		
Working temperature	-40 ~ +80 °C (Refer to "Derating Curve")		
Storage temperature	-40°C ~ + 85°C		
Storage humidity	5 ~95% RH non-condensing		
Working humidity	5 ~ 95% RH non-condensing		
Vibration test	Component: 10 ~ 500Hz, 5G 10min./1cycle, 60min. each along X,Y, Z axes; Mounting: Compliance to IEC61373		
Operational altitude	5000m/OVCII		
<b>Security Parameter</b>			
Overcurrent protection range	<30A,5Sec.No damage		
Short circuit protection	<30A,5Sec.No damage		
Safety standard	IEC62368-1		

**Dimensional Drawing**





**Features**

- Support 1+1 and 1+N redundancy system
- Suitable for redundancy operation of 12V/24V/48V systems
- 2 channels input and 1 output
- Built-in 2 channels DC OK signal and alarm relay contact
- Three Years Warranty

**Specification**

Product name	DPS-DIODE-40A-D12-02Z(H)	DPS-DIODE-40A-D24-02Z(H)	DPS-DIODE-40A-D48-02Z(H)
<b>Input Parameter</b>			
Input voltage range	9-14V	19-29V	36-60V
DC rated voltage	12V	24V	48V
Rated current	0~40A per input Continuous		
Efficiency	95%		
Input current	0~40A, Continuous		
Number of input	2 Channels		
Voltage drop(Vin-Vout) (max.)	0.5V		
Peak current	0~60A per input, 5Sec		
Input reverse current (max.)	1mA		
Input reverse voltage(max)	40Vdc		65Vdc
Connection mode	Terminal blocks		
<b>Output Parameter</b>			
Peak current (max.)	60A, 5Sec		
Rated current	0~40A per input Continuous		
Capacitance(Typ.)	320uF		
Standby power losses(Typ.)	1.5W		
Coefficient of temperature drift	±0.03%/°C(0~60°C)		
Connection mode	Terminal blocks		
<b>Function</b>			
Redundancy	For 1+1 redundancy ,and support 1+N redundancy		
Both inputs voltage alarm	<8.5V or >14.7V(±5%)	<18V or >31V(±5%)	<34.2V or >63V(±5%)
Relay	30Vdc/1A resistive load		
Led status display	Green LED OK		

Product name	DPS-DIODE-40A-D12-02Z(H)	DPS-DIODE-40A-D24-02Z(H)	DPS-DIODE-40A-D48-02Z(H)
<b>Mechanical Parameter</b>			
Size (L X W X D)	125×55×101mm		
Weight	0.5kg		
Shell material	Metal		
DC light	OK		
<b>Environmental Parameter</b>			
Cooling	Free air convection		
Working temperature	-40 ~ +80 °C (Refer to "Derating Curve")		
Storage temperature	-40°C ~ + 85°C		
Storage humidity	5 ~95% RH non-condensing		
Working humidity	5 ~ 95% RH non-condensing		
Vibration test	Component: 10 ~ 500Hz, 5G 10min./1cycle, 60min. each along X,Y, Z axes; Mounting: Compliance to IEC61373		
Operational altitude	5000m/OVCII		
<b>Security Parameter</b>			
Overcurrent protection range	<30A,5Sec.No damage		
Short circuit protection	<30A,5Sec.No damage		
Safety standard	IEC62368-1		

**Dimensional Drawing**

